

ECONOMIC TOUCH HMI

RTS4070CE

7 inch (17,7 cm)



Picture Quality

Resolution - **800 x 480**
Color - **16 millions** (24-Bit)
Brightness - **360cd/m2**
View - **160°**

Touch Panel

Type - **4-wires Resistive**

Features

CPU - **ARM Cortex A8** (600MHz)
Memory - **128MB** (Flash) + **128MB** (RAM)
SD Slot : **Yes**

Connectivity

Serial - **COM1 - COM4** (RS232/RS422/RS485)
Ethernet - **10/100 Mbit**
USB : **Host** (USB A) + **Slave** (USB B)

Protection

Power - **Isolated, Thunderstrike, Surging**
COM Ports - **Isolated**
PCB : **Spray Coating** (Anti-Dust, -Condensation, -Corrosion)



Power Supply - 24V DC

7"
9.7"



RTS 40xxCE/iE Series

Model: RTS4070CE

Model: RTS4097iE

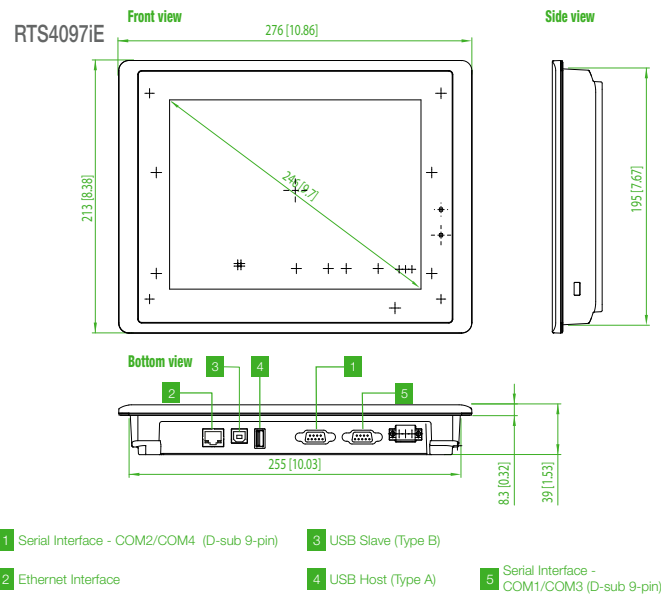
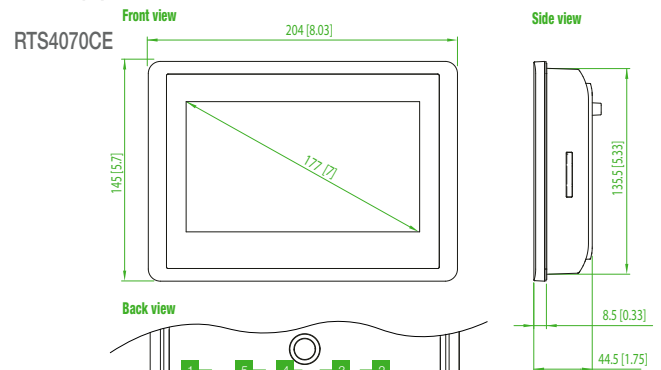
Specifications

Item	RTS4070CE	RTS4097iE
Display type	TFT color LCD IPS	
Screen size	7 inch (17.7cm)	9,7 inch (24.6cm)
Display Resolution	800x480 pixel (WVGA)	1024x768 pixel (XGA)
Color indication	24-bit Color (16.2M)	16-bit Color (65 536)
Indication degree	160 deg.	180 deg.
Backlight	LED Type	
Backlight duration	50,000 hours	
Brightness	360 cd/m ²	350 cd/m ²
Touch panel	4 wires resistive touch screen (Surface hardness 4H)	
CPU	600MHz ARM Cortex A8	
Flash Memory	128MB	
Operation RAM	128MB	
RTC Function	Built-in	
Ethernet	1 channel, 10/100BASE-TX	
SD Card Slot	SD/SDHC	
USB Host	1 channel, USB 2.0 host (mouse, keyboard, printer, barcode reader and USB memory driver is available)	
USB Client	1 channel, USB 2.0 slave (for download and upload project file)	
RS-232C	1 channel - COM3	2 channels - COM3, COM4
RS-485	-	
RS-232/422/485	1 channel, 232/422/485 Combination	
COM Port Isolation	Yes	
Input Power	DC24V, input range DC 9V~28V	DC24V, input range DC 18V~28V
Power Isolation	Yes	
Power Consumption	< 10W	
Power Down Allowed	< 5ms	
Power Protection	Protected from thunder strike and surging	
Multi-language	Up to 32 language simultaneously	
Animation	GIF format is available	
Recipe	Available	
Data logging	Available	
Macro executor	Available	
Download project	U-Disk/USB Device/Ethernet	

Item	RTS4070CE	RTS4097iE
Certificate		
CE & RoHS	CE: Complied with EN61000-6-2:2005, EN61000-6-4:2007 RoHS: Surge Immunity:±1KV, EFT:±2KV; ESD:4KV, Air:8KV	
Operating Temperature	0 °C .. +50 °C	
Storage Temperature	-20 °C .. +60 °C	
Operating Humidity	10~90%RH (No condensate)	
Vibration Endurance	10~25Hz (X, Y, Z direction 2G/30 minutes)	
Degree of Protection	Front IP65 (with NEMA panel), Back IP20	
Cooling Method	Natural air circulation	
Enclosure	ABS	
PCB Coating	Yes	
Mount	Panel mount	
Panel Cutout	192x 138 mm	259 x 201 mm
External Dimensions	204 x 145 x 44.5 mm	276 x 213 x 39 mm
Weight	Approx. 650g (unit only)	Approx. 1000g (unit only)

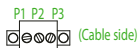
[External Dimensions/Interfaces]

Unit: mm [in.]



[Power connector]

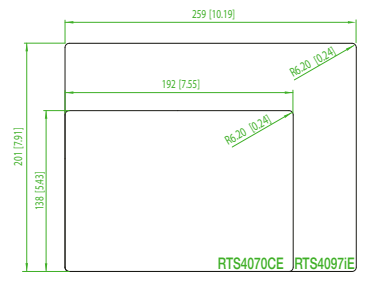
Pin Connection



Pin No.	Name
P1	+24V
P2	0V
P3	FG

[Panel Cut-Out]

Unit: mm [in.]



[COM1/COM2/COM3/COM4 connectors]

Pin Connection



Pin No.	Name
P1	Rx-(B)
P2	RxD_PL/PC (COM1 RS232)
P3	TxD_PL/PC (COM1 RS232)
P4	Tx+
P5	GND
P6	Rx+(A)
P7	RxD_PC/PLC (COM3 RS232)
P8	TxD_PC/PLC (COM3 RS232)
P9	Tx+

Pin No.	Name
P1	Rx-(B)
P2	RxD_PL/PC (COM2 RS232)
P3	TxD_PL/PC (COM2 RS232)
P4	Tx+
P5	GND
P6	Rx+(A)
P7	RxD_PC/PLC (COM4 RS232)
P8	TxD_PC/PLC (COM4 RS232)
P9	Tx+